

BEYOND®

BY AERUS

# LAUNDRY PRO® 2.0

A BEYOND BY AERUS TECHNOLOGY



## COLD WATER LAUNDRY SYSTEM

READ MANUAL CAREFULLY FOR PROPER USE AND OPERATION.




# GENERAL INFORMATION

## CONTENTS

General Information . . . . .	2
Use & Safety Considerations . . . . .	3
Installation Requirements . . . . .	4
Before You Start . . . . .	5
Removing Cover. . . . .	5
Installation of Wall Anchors or Screws . . . . .	6
Reinstall the Cover. . . . .	7
Hose Installation . . . . .	7-8
Connecting the Power Adapter . . . . .	8
System Set Up. . . . .	9
Before Washing Clothes . . . . .	10
Using Your Laundry Pro 2.0 . . . . .	10
Washers Requiring Hot & Cold Water. . . . .	11
Temp. Control & External Water Tap . . . . .	12
Status Indications . . . . .	12
Frequently Asked Questions . . . . .	13
Installation Problems . . . . .	13
Warranty Information . . . . .	14

## SPECIFICATIONS

### AC/DC Adapter:

- AC in: 100 - 240V ~ 50/60 Hz .45A
- DC out: 12V 

### Power Consumption:

- .4W AC (standby mode)
- 1.3W AC operating

### Dynamic Water Pressure:

- Minimum 20 psi to 60 psi / 1.37 ~4.13 bar

### Water Temperature:

- Use cold water only (do not use hot water)

### Operating Environment:

- 50°F - 100°F ( 10°C - 37.8°C)
- Humidity 40% ~ 85%

### Dimensions:

- 17.3" x 5.19" x 3.69"
- 43.94cm x 13.48cm x 9.37cm

### Weight:

- 4.3 lbs
- 1.95 kg

## FILL IN AND SAVE

The location of the serial number is on the back panel of the water unit, below the water line connection. Write it here and retain for future reference.

Model No. \_\_\_\_\_

Serial No. \_\_\_\_\_

Date of Purchase \_\_\_\_\_

Aerus Distributor \_\_\_\_\_

Distributor's Office Phone No. \_\_\_\_\_

Distributor's Office Address \_\_\_\_\_

## PRODUCT OVERVIEW

Laundry Pro 2.0 is designed to work in conjunction with your washing machine, using cold water and our proprietary ActivePure® Technology to clean clothes. As your washer begins to fill, Laundry Pro 2.0 will turn on. Laundry Pro 2.0 is equipped with an internal leak sensor. See page 12 for more details.

There's a smart new approach to laundry that's based on earth-friendly science and technology. Laundry Pro 2.0, designed and made in America, eliminates the need for hot water, detergents, fabric softeners and bleaches, thereby allowing it to pay for itself over and over again.

Laundry Pro 2.0 is easy to install. It is intended to work with residential clothes washers and is for use by anyone interested in an economical, earth-friendly alternative to the typical detergents and chemicals currently available, without modifying existing appliances, electrical systems, or plumbing.

Laundry Pro 2.0 uses a variation of the technology originally developed for use in the International Space Station and is recognized as a Certified Space Technology by the Space Foundation.

# USE & SAFETY CONSIDERATIONS

- Read this manual in its entirety prior to installing or using your Laundry Pro 2.0.
- For indoor use only.
- Do not operate unit with cover removed.
- Disconnect all power before servicing.
- Do not use an extension cord or other adapter with this appliance.
- This appliance is not recommended for use with high sediment content water. If your water has a high sediment content, consult a water filtration expert for available options.
- Maximum dynamic water inlet pressure is 60 psi.
- Use the new hose included with the unit, when connecting the Laundry Pro 2.0 to your washing machine. You should also replace any washing machine hose that is more than 3 years old.
- Do not clean the cover of your Laundry Pro 2.0 with harsh chemicals, abrasives, or cleansers. To clean, use a soft cloth dampened with water.
- Laundry Pro 2.0 is designed for normal residential use only. Use in a commercial or non-residential setting may damage the unit and will void your warranty.



## CAUTION:

Water treated by your Laundry Pro 2.0 unit is intended for clothes washing only and is **NOT** approved for any internal consumption such as drinking, bathing, brushing teeth, etc. **DO NOT** drink, ingest, or internally consume the water from your Laundry Pro 2.0 unit or washing machine. **DO NOT** provide water from your Laundry Pro 2.0 to your pets or other animals.

## IMPORTANT SAFETY PRECAUTIONS

- To prevent unnecessary risk of fire, electrical shock, or personal injury, all wiring must be done in accordance with the National Electrical Code ANSI/FNPA, No. 70 - Latest Revision and local codes and ordinances in the USA. For Electrical Codes outside the USA, consult your local regulatory agency for the latest codes and ordinances. It is the personal responsibility and obligation of the appliance owner to provide adequate electrical service for this appliance.

**NOTE:** Your Laundry Pro 2.0 Unit was factory tested. It is normal for some residual water to still remain in the unit as a result of these tests.

We have provided important safety warnings in this manual and on your appliance. Always read and obey all safety messages.

Safety warnings in this manual are defined as follows:



## DANGER:

Death or serious injury can occur if instructions are not followed immediately.



## WARNING:

Electrical shock hazard. You can be killed or seriously injured if you don't follow instructions.



## CAUTION:

Damage to your appliance or the surrounding area can occur if you don't follow instructions.

## NOTE:

This information is included to aid in installation and use of this appliance.

# SAVE THESE INSTRUCTIONS

# INSTALLATION REQUIREMENTS

## ELECTRICAL REQUIREMENTS

100 - 240 Volt 50/60 Hz 5 AMP (minimum) Fuse or Circuit Breaker.  
Laundry Pro 2.0 is equipped with an AC to DC power supply.

 **NEVER USE AN EXTENSION CORD.**

## WATER REQUIREMENTS

A dynamic water pressure of greater than 20 psi / 1.37 bar and less than 60 psi / 4.13 bar is required to correctly operate your Laundry Pro 2.0.

See Cautions below.

## LOCATION CONSIDERATIONS

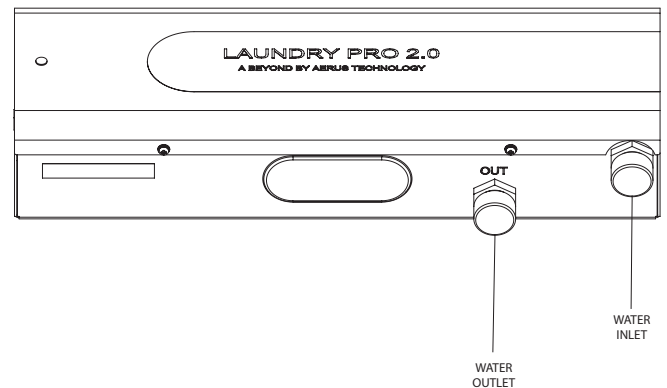
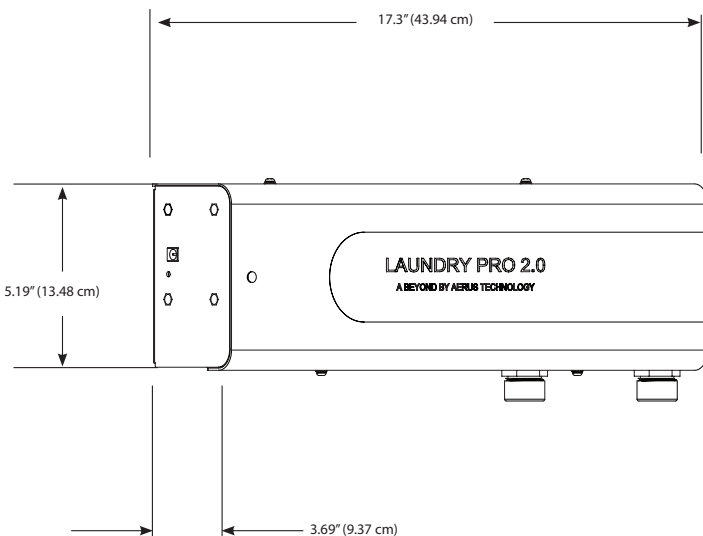
The Laundry Pro 2.0 must never be installed in areas where water may freeze since the unit will always maintain some water in the unit, the water valve, and hose areas. This can cause damage to internal components. It is also recommended to avoid installation in areas of high humidity, as it can effect the operation of the unit.

### CAUTION:

Incoming water pressure must be greater than 20 psi / 1.37 bar. If your household water pressure is greater than 60 psi / 4.13 bar, you must install an in-line pressure reducer before installing Laundry Pro 2.0. Failure to follow these instructions may result in water leakage, property damage, personal injury, and may void your warranty. Water pressure of 20 psi / 1.37 bar to 60 psi / 4.13 bar is required to correctly operate your Laundry Pro 2.0. Low water pressure may prevent your unit from operating properly and/or cause a failure in your washing machine's water valve.

The washer's water valve may also not shut off completely. Check the documentation supplied with your washing machine for exact specifications. Your washing machine and cold water faucet must be within 4 feet of the right side of the unit to use the inlet hose provided with your Laundry Pro 2.0.

**TO AVOID THE POSSIBILITY OF WATER DAMAGE, SHOULD A HOSE LEAK, ALWAYS HAVE FAUCETS ACCESSIBLE AND TURN OFF FAUCETS WHEN WASHER IS NOT IN USE. DO NOT USE WITH A CARBON FILTER.**

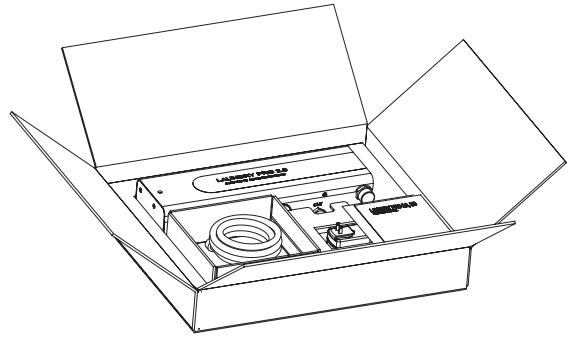


# BEFORE YOU START

---

**NOTE:** Your Laundry Pro 2.0 unit was factory tested. It is normal for some residual water to still remain in the unit as a result of these tests.

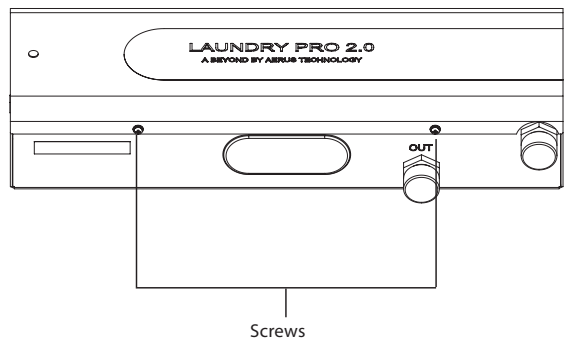
- Remove your new Laundry Pro 2.0 from its packaging.
- Inspect the unit for any signs of shipping damage.



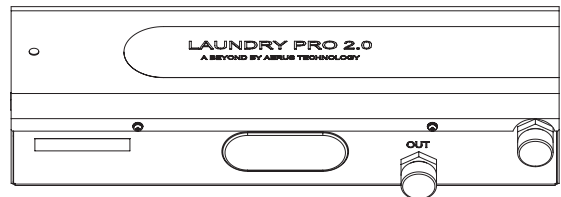
# REMOVING COVER

---

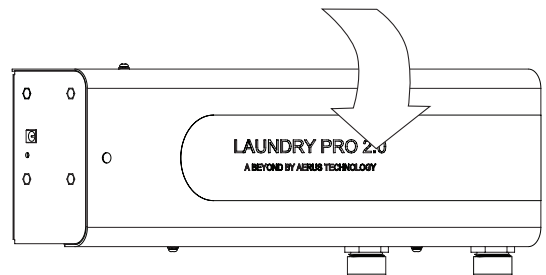
1. Remove the two (2) cover screws located on the bottom of the unit.



2. Remove the two (2) screws (not shown) along the top of the Laundry Pro 2.0.



3. To remove the cover, pull the top away from the unit, then lift off the cover.



# INSTALLATION OF WALL ANCHORS OR SCREWS

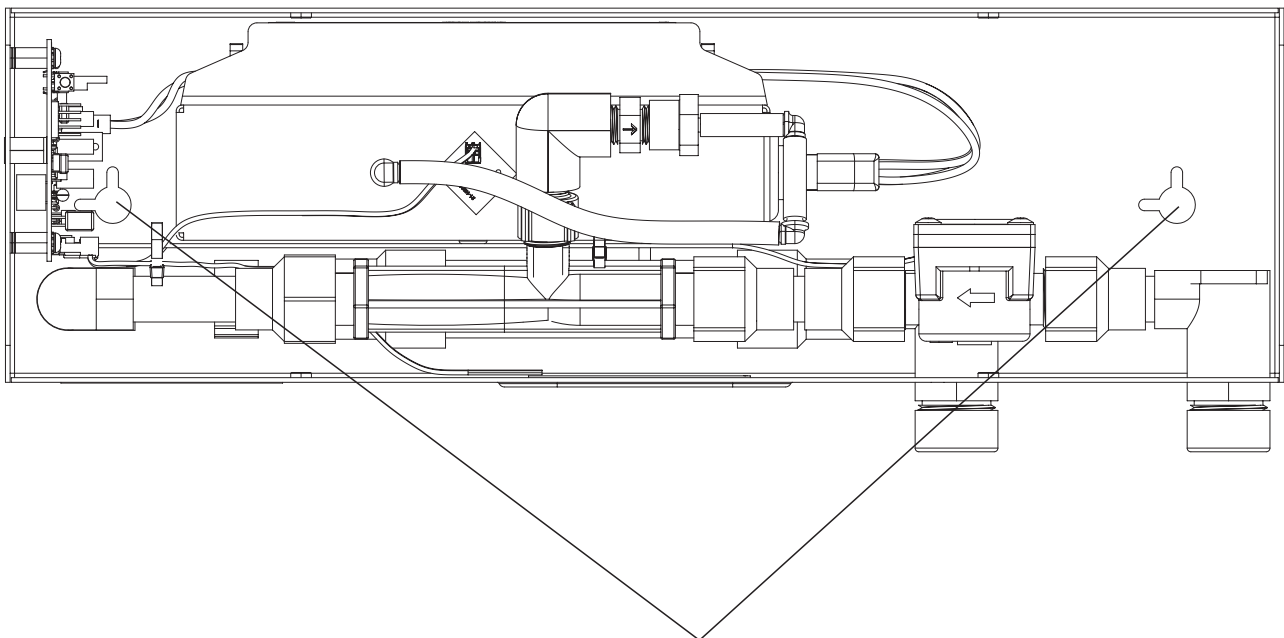
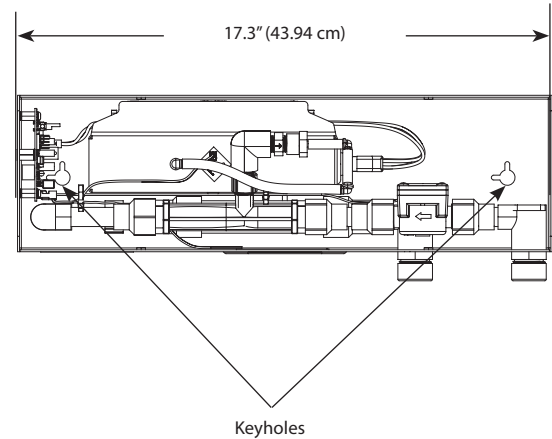
1. Place the Laundry Pro 2.0 to the wall and mark the appropriate keyholes with a pencil.

**NOTE:** Washing machine and cold water faucet must be within 4 feet (1.21 m) of the right side of unit.

- A. If using supplied wall anchors, drill two 3/16" (4.76 mm) diameter holes. Place two wall anchors into the wall. Install two supplied screws and tighten until almost all the way in.
- B. If mounting to wall studs, drill two 3/32" (2.381 mm) diameter holes approximately 1" (25.4 mm) deep. Install two supplied screws and tighten until almost all the way in.

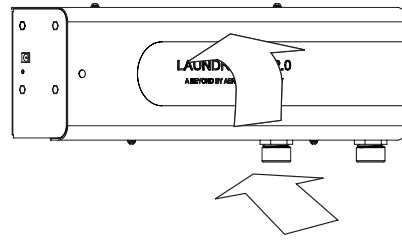
**NOTE:** The provided hardware kit contains adhesive backed rubber spacers to be placed on back of unit to provide additional clearance from wall if needed for hose installation or the use of ActiveClean Port. (Page 12)

2. Position the keyholes of the Laundry Pro 2.0 onto the screws (not shown). Finish tightening screws enough to securely mount unit, but still allowing it to be removed from wall. Remove unit from wall.

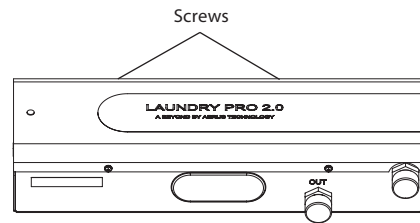


# REINSTALL THE COVER

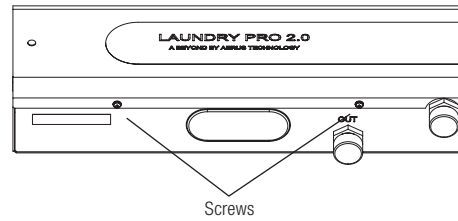
1. Return the Laundry Pro 2.0 cover to its original position, fitting the bottom in place and tipping upward.



2. Secure with two (2) screws (not shown) along the top edge.



3. Put the two (2) remaining screws along the bottom edge and tighten.



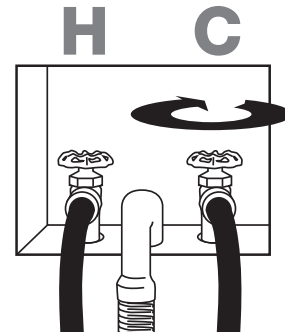
**NOTE:** Remove the two black caps from the hose connections before installing hoses.

# HOSE INSTALLATION

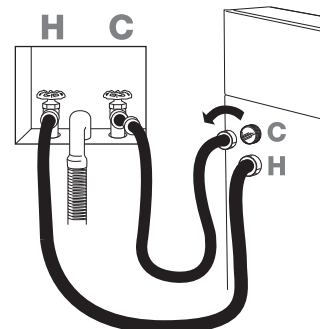
**NOTE:** To ease hose installation and prevent cross threading, connect hose prior to mounting unit on wall.

1. Turn the cold water off by shutting off the cold water faucet.

2. Remove the cold water hose from the cold water inlet on the back of your washing machine. Leave hot water hose attached.



**NOTE:** To help prevent water spray when disconnecting hoses, you can relieve pressure in the water line by momentarily starting your washing machine.



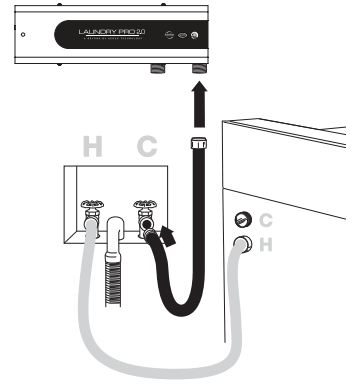
## CAUTION:

When connecting hoses to your Laundry Pro 2.0 start by hand tightening the hose connector(s). Using adjustable pliers, finish tightening hose connector(s). Do not remove or disconnect the hot water line from your washing machine or water valve.

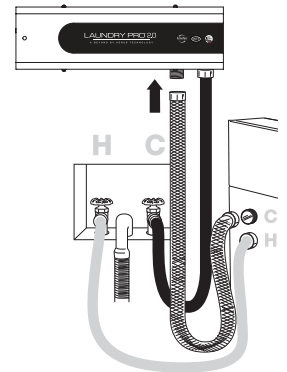
## HOSE INSTALLATION (CONTINUED)

**NOTE:** If your existing hose is more than 3 years old, we recommend that you replace it with the optional stainless steel hose (item#: 49701-US).

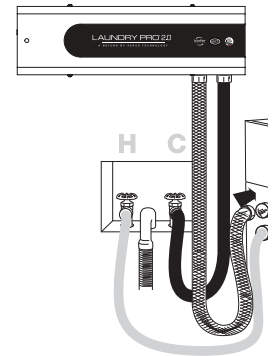
3. Connect the hose from the cold water inlet on your washing machine to the INLET connection on your Laundry Pro 2.0.



4. Connect the new hose provided with your Laundry Pro 2.0 to the water OUTLET connector on your Laundry Pro 2.0 unit.



5. Finally, connect the new hose to the cold water inlet on your washing machine.



**NOTE:** To ease hose installation and prevent cross threading, connect hoses prior to mounting unit on wall.

## CONNECTING POWER ADAPTER

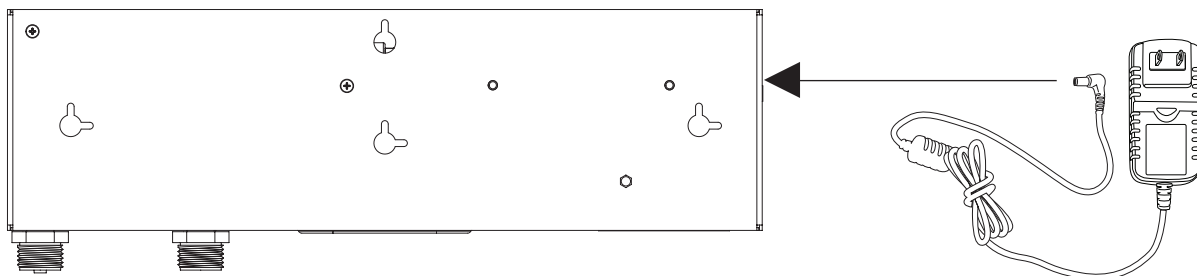


### CAUTION:

Do not use any AC/DC adapter other than the one supplied with your Laundry Pro 2.0 or Aerus replacement AC/DC adapter (item#: 49873-US). Failure to follow these instructions may void your warranty and/or result in damage to your unit, fire, or electrical shock.

1. Insert the provided power cord into the **POWER IN** socket located on the side of the unit.

**NOTE:** Do not plug the adapter into the wall socket until installation is complete. See page 9.





# SYSTEM SET UP



## WARNING:

Electrical Shock Hazard. When working with electrical connections, the appliance and surrounding area should be clean and dry of any standing water. Failure to follow these instructions can result in death, fire, or electrical shock.



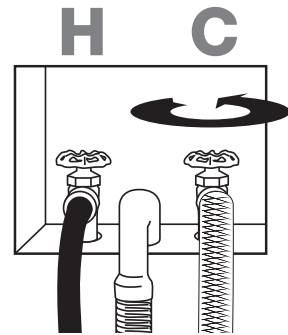
## WARNING:

Electrical Shock Hazard. Do not use an extension cord. Failure to follow these instructions can result in death, fire, or electrical shock.

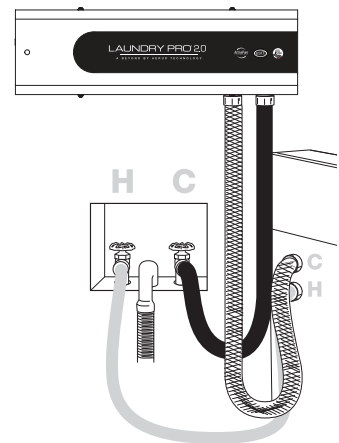
1. Plug power cord into the wall outlet of your home's electrical power system. See page 4 for electrical requirements.



2. Turn on the cold water valve.



3. Check all hoses to ensure no water is leaking. Tighten if necessary.



4. Start your washer. The status light should illuminate blue after a few seconds.

**NOTE:** Your Laundry Pro 2.0 will automatically turn on and off as your washing machine starts, and stops.



Status Indicator Lights

# BEFORE WASHING CLOTHES

---

## BEFORE USING YOUR LAUNDRY PRO 2.0 FOR THE FIRST TIME

IF YOUR WASHING MACHINE IS NEW, skip this section and continue below.

IF YOUR WASHING MACHINE IS NOT NEW you will need to perform this procedure to help remove any detergent buildup that may contaminate your clothing.

1. Do not put clothes in the washer at this time.  
Set your machine to its largest load setting, cold water only.
2. Start the washer and let it run through every cycle.
3. Once it has finished, repeat Steps 1 and 2 three more times.  
Depending on the age and severity of detergent buildup, it may be necessary to perform Step 3 several times.

**NOTE:** If you have a front loading washer, odors can develop due to stagnant water left inside. If musty odors develop it may be necessary to run a commercially available cleaner made especially for front loading washers to eliminate such odors.

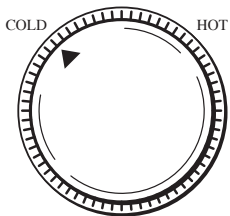


### CAUTION:

To avoid the possibility of water damage, should a hose leak, always have faucets accessible and turn off faucets when washer is not in use.

# USING YOUR LAUNDRY PRO 2.0

---



## NORMAL OPERATION

Using your Laundry Pro 2.0 is as simple as turning on the washing machine. Laundry Pro 2.0 is designed to use the COLD/COLD setting of your washing machine.

## DETERGENT AND FABRIC SOFTENER

You may choose to continue to use detergent and/or fabric softeners if desired. However, to completely experience all the benefits of your new Laundry Pro 2.0, we recommend washing using nothing but cold water. NEVER apply detergent directly to dry clothes. Allow washer to fill, then add detergent to prevent staining on clothes.



## HEAVY STAINS

For heavy stains, pre-treat area, apply pre-treater, rub gently and let stand for several minutes. Wash as normal.

# FOR WASHERS THAT REQUIRE HOT & COLD WATER INPUT

Some washing machine models require water pressure to both the Hot and Cold valves for proper operation. In some cases, if only the COLD water side is connected, the water valve will not operate or the washing machine will not fill to the proper level. To solve this problem, the installation of a "Y" adapter (available at most hardware stores) may be used. The use of the "Y" adapter allows water to flow equally through both the HOT and COLD water valves. Optional stainless steel hose (item #: 49701-US) must be installed on the hot water connection. To Install, turn water off at the valves and disconnect the existing HOT water hose (at the valve and washing machine). Connect the "Y" adapter to the outlet on your Laundry Pro 2.0, then connect both the optional stainless steel hose (item #: 49701-US) and Cold hose from your washer to the "Y" adapter (see diagram below). Operate your washer on the WARM/WARM setting (your Laundry Pro 2.0 will still be using just cold water).

**NOTE:** Your hot source water valve will not have a hose connected to it. Make sure it is fully turned off. It is recommended you secure a cap (available at most home improvement stores) to prevent leakage.

**NOTE:** The "Y" adapter needs to be purchased locally. Use only a metal adapter. **DO NOT** use plastic.



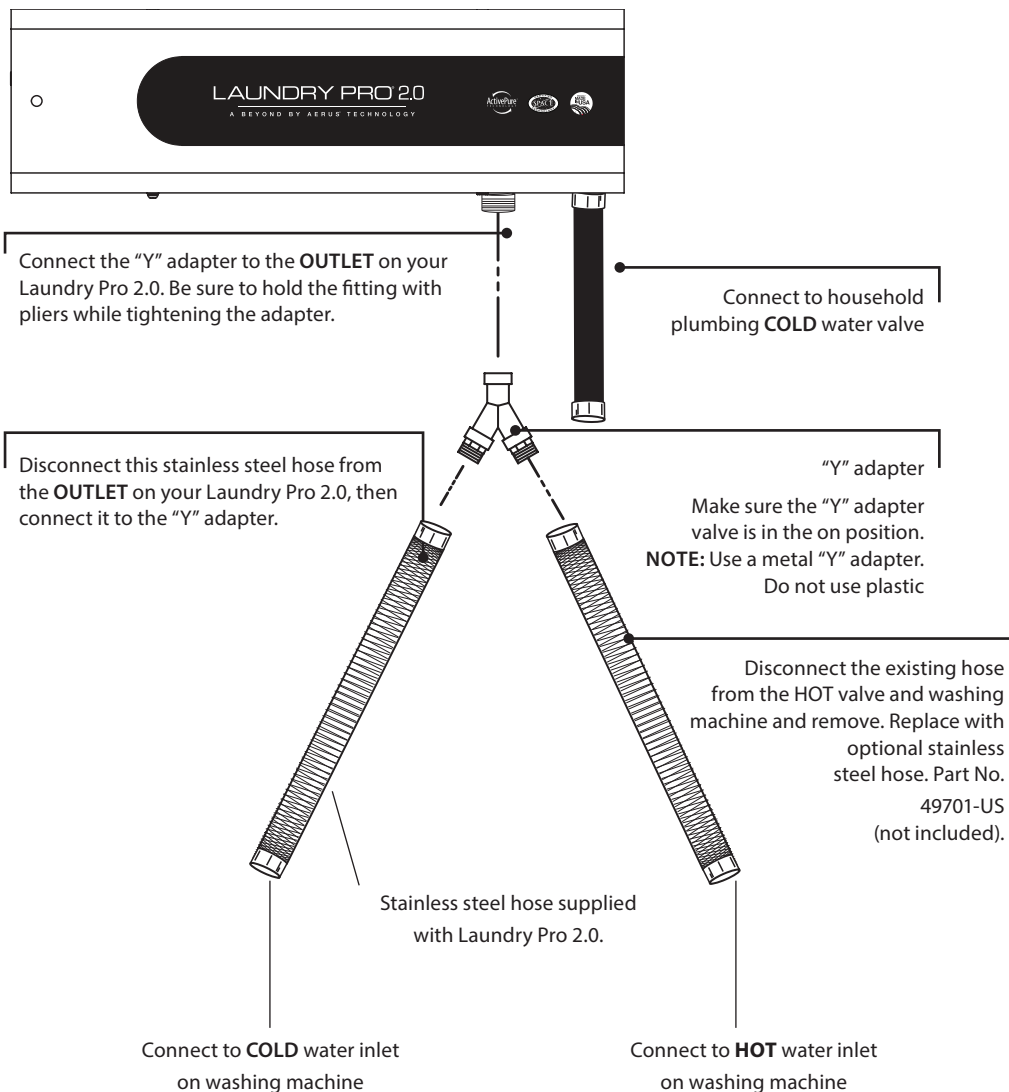
## CAUTION:

Turn off both water valves (hot and cold) before disconnecting hoses. Failure to follow these instructions may result in water leakage and/or possible injury from hot water.



## CAUTION:

When connecting hoses to your Laundry Pro 2.0 hand start the hose connector(s). Using adjustable pliers, finish tightening hose connector(s).



# TEMPERATURE CONTROLLING WATER VALVES

Some washers monitor the incoming cold water temperature and adjust too cold of water by adding hot water, even if the water temperature is set to cold. If you have one of these washers, do not install with the “Y” adapter as it may cause the washer to not operate correctly. Consult your washing machine owner’s manual if needed.


## EXTERNAL WATER TAP (AVAILABLE SEPARATELY)


An optional Laundry Pro 2.0 water tap allows you to run water with hydrogen and oxygen based oxidizers for cleaning surfaces, without the cost or chemical irritants found in most traditional cleaning products. (ActiveClean Port - 49693-US)


## STATUS INDICATIONS

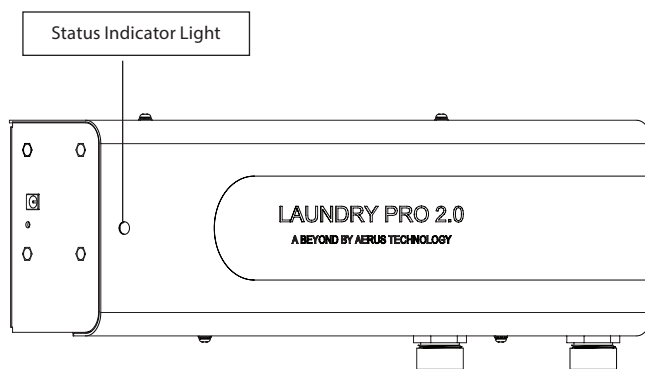
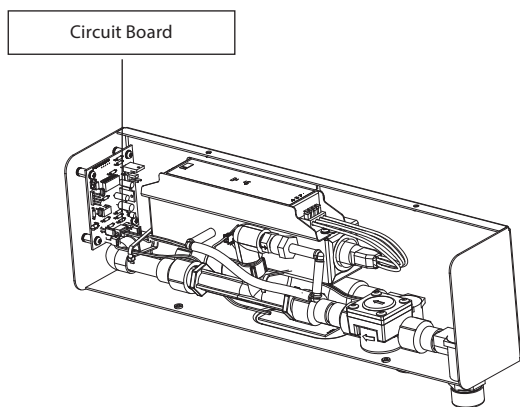
The Laundry Pro 2.0 monitors its operations with a blue LED indicator:

- **Unit on** = LED on steadily. (“unit on” means whenever water is flowing through the unit).
- **ActivePure cell replacement upcoming** (@ approx.. 7500 hours) = periodic brief LED flash (visual chirp) when unit is off, but goes to steady on when water is flowing through the unit.
- **ActivePure cell replacement required** (@ approx. 9000 hours) = periodic brief LED flash (visual chirp) whether unit is off or on. UV bulb will NOT be turned on again until cell is replaced.
- **UV bulb failure** = periodic brief LED flash (visual chirp) – same as ActivePure cell replacement required above.
- **ActivePure cell replacement:** When replacing the ActivePure cell, there is a switch on the main circuit board which must be pressed. When this happens, the LED will blink 3 times (longer than the brief “chirp” flashes above) and then shut off. This indicates that the ActivePure cell timer has been reset to 0. Pressing the button at any time before the 7500 hour mark \*or\* before a bulb failure has been detected will NOT reset the timer.
- **Leak Alarm:** LED will flash in conjunction with alarm beeping. If this occurs, please contact Customer Service at (800) 989-2299 for assistance. España: [www.laundrypro.es](http://www.laundrypro.es); Italia: [www.laundrypro.it](http://www.laundrypro.it); Portugal: [www.laundrypro.pt](http://www.laundrypro.pt).

 **WARNING:**  
Electrical Shock Hazard. Disconnect power before attempting installation or service.

 **WARNING:**  
Electrical Shock Hazard. When working with electrical connections, the appliance and surrounding area should be clean and dry of any standing water. Failure to follow these instructions can result in death, fire, or electrical shock.

 **CAUTION:**  
Do not operate Laundry Pro 2.0 with the front cover removed or improperly installed. Failure to follow these instructions can result in severe eye damage, death, or electrical shock.



## FREQUENTLY ASKED QUESTIONS

---

### **Does Laundry Pro 2.0 get out tough stains without pretreating?**

Tough stains will still require pretreatment.

### **Does the Laundry Pro 2.0 work with all types of water including hard water?**

Laundry Pro 2.0 will work with all household water qualities, however additional sediment pre-filtering may be necessary depending on the source water condition.

**NOTE: Never use with a carbon filter.**

### **Will the Laundry Pro 2.0 work with commercial washing machines?**

Laundry Pro 2.0 is designed for residential use only.

### **Is a plumber required to install Laundry Pro 2.0?**

The customer is responsible for installation of their Laundry Pro 2.0 unit. Some customers may prefer to have a plumber perform the installation although Laundry Pro 2.0 can be installed in most homes by the home owner using standard hand tools. It should be noted there are potential problems which can arise during the installation depending on the condition of the plumbing in the home and the configuration and location of the washer. If the cold water valve is stuck or the washing machine needs to be moved back which may require re-leveling, a plumber may be required. Aerus is not liable for improper installation or damage caused from improper installation and recommends a licensed plumber. Appropriate warnings and concerns are included in this owner's manual. Always follow local plumbing codes when installing the Laundry Pro 2.0.

### **Can I hook the Laundry Pro 2.0 unit up to things other than a washing machine?**

No. However, Aerus has an optional ActiveClean port kit you can install on the Laundry Pro 2.0 to create water with oxygen based oxidizers for other cleaning uses (see page 12).

### **What effect does Laundry Pro 2.0 have on elastic?**

Normal operation of a Laundry Pro 2.0 unit should have no negative impact on elastic in clothing.

### **Can I let my clothes soak?**

It is not recommended that clothes are allowed to soak in Laundry Pro 2.0 water.

## INSTALLATION PROBLEMS?

---

Installation procedures can vary according to washing machine model. If you experience installation problems, read the manual first to make sure you have installed the unit correctly. Call Customer Service at 800-572-0502 for more information. España: [www.laundrypro.es](http://www.laundrypro.es); Italia: [www.laundrypro.it](http://www.laundrypro.it); Portugal: [www.laundrypro.pt](http://www.laundrypro.pt).

# LIMITED THREE (3) YEAR WARRANTY

Customer should not repackage and ship the Laundry Pro 2.0™ unit due to possibility of irreparable damage.  
For warranty service, please contact your Distributor or our Customer Service for the address of the nearest service center.

Customer should not repackage and ship the Laundry Pro 2.0 unit because irreparable damage can occur. For warranty service, please contact Customer Service at (800) 572-0502.

## WHAT IS COVERED BY THIS WARRANTY

We warrant the Laundry Pro 2.0 to the consumer, subject to the conditions below, against defects in workmanship or material, provided that the products are returned to your distributor within the following time periods:

- Laundry Pro 2.0 within 3 years of date of purchase.

## INSTALLATION AND MAINTENANCE REQUIREMENTS

This warranty is expressly conditioned upon the following installation and maintenance requirements: (i) the Laundry Pro 2.0 must be installed, used & maintained in accordance with the Owner's Manual & by a licensed professional (if applicable); and (ii) all hoses must be replaced at the intervals prescribed in the Owner's Manual (proof of hose change may be required). Failure to meet any of these requirements will void this warranty. Servicing your Laundry Pro 2.0 by parties other than an authorized representative and/or using parts other than genuine parts will also void this warranty.

## HOW TO OBTAIN WARRANTY SERVICE

Customers must contact their distributor or Customer Service and provide proof of purchase within the above time periods. We will repair or replace and return the product, without charge and within a reasonable period of time, subject to the conditions in the above paragraphs, if its examination shall disclose any part to be defective in workmanship or material. If we, in our discretion, are unable to repair the product after a reasonable number of attempts, we will provide either a refund of the purchase price or a replacement unit, at the company's option.

## WHAT IS NOT COVERED BY THIS WARRANTY

This product is intended for household use only and only for use with municipal water systems. Ordinary wear and tear shall not be considered a defect in workmanship or material. These warranties do not apply to filters nor for loss or damage caused by accident, fire, abuse, misuse, improper installation, leaking, modification, misapplication, commercial use, or by any repairs other than those provided by an authorized representative. This warranty does not cover any water damage.

## EXCLUSION OF OTHER WARRANTIES AND CONDITIONS

EXCEPT AS PROVIDED HEREIN, Aerus MAKES NO REPRESENTATION OR WARRANTY OF ANY KIND. ALL OTHER WARRANTIES OF ANY KIND, EXPRESS OR IMPLIED, ARE HEREBY EXPRESSLY DISCLAIMED, INCLUDING ANY IMPLIED WARRANTY OF MERCHANTABILITY OR FITNESS FOR A PARTICULAR PURPOSE.

## UNAUTHORIZED CHANNELS & MISSING SERIAL NUMBERS

Our products are authorized for sale through Authorized Representatives only. All warranties are void if a product is purchased through unauthorized channels. We will not extend warranty coverage on any product sold in a manner that violates our Internet advertising policies and guidelines. This includes websites that are not authorized to use our trademarked names,

images and logos, as well as Internet auction sites. These websites would include ebay® and CraigsList®. If a valid serial number is missing from the product, the warranty will be voided. To confirm warranty coverage prior to purchasing a product, contact Customer Service.

## LIMITATION OF LIABILITY FOR SPECIAL, INCIDENTAL OR CONSEQUENTIAL DAMAGES

Aerus SHALL NOT IN ANY CASE BE LIABLE FOR SPECIAL, INCIDENTAL OR CONSEQUENTIAL DAMAGES ARISING FROM BREACH OF EXPRESSED OR IMPLIED WARRANTIES, CONDITIONS, GUARANTEES OR REPRESENTATIONS, BREACH OF CONTRACT, NEGLIGENCE OR ANY OTHER LEGAL THEORY. Such excluded damages include, but are not limited to, loss of profits or revenue, loss of the use of the products, and any loss caused by leaks or other water damage.

## FOR U.S. APPLICATION ONLY

This warranty gives you specific legal rights, and you may also have other rights which vary from state to state. Some states do not allow limitations on warranties, or on remedies for breach. In such states, the above limitations may not apply to you.

## FOR CANADIAN APPLICATION ONLY

Exclusion of Subsequent Owners: Except as otherwise required by applicable legislation, this warranty is not transferable. This warranty gives you specific legal rights and you may also have other rights which vary from province to province. Some provinces and territories do not allow limitations on warranties, or on remedies for breach. In such provinces or territories, the above limitations may not apply to you.

If any provision of this warranty or part thereof is held by a court of competent jurisdiction to be invalid, illegal or unenforceable, the validity, legality and enforceability of the remaining provisions or parts thereof will not in any way be affected or impaired within the jurisdiction of that court. This entire warranty shall continue to be valid, legal and enforceable in any jurisdiction where a similar determination has not been made.

This warranty is provided by:

Aerus LLC  
300 East Valley Drive,  
Bristol, VA 24201

## SERVICE

Every effort is made to ensure that customers receive an up-to-date instruction manual on the use of our products; however, from time to time, modifications to our products may without notice make the information contained herein subject to alteration. For the latest information, please call customer service at (800) 572-0502.

España: [www.laundrypro.es](http://www.laundrypro.es)  
Italia: [www.laundrypro.it](http://www.laundrypro.it)  
Portugal: [www.laundrypro.pt](http://www.laundrypro.pt)



This equipment has been tested and found to comply with the limits for Industrial, Scientific, and Medical Equipment (ISM), pursuant to Part 18 of the FCC Rules. These limits are designed to provide reasonable protection against harmful interference in a residential installation. This equipment generates, uses, and can radiate radio frequency energy, and if not installed and used in accordance with the instructions, may cause harmful interference to radio communications. However, there is no guarantee that interference will not occur in a particular installation. If this equipment does cause harmful interference to radio or television, which can be determined by turning the equipment off and on, the user is encouraged to try to correct the interference by one or more of the following measures:

Reorient or relocate the receiving antenna.

Increase the separation between the equipment and receiver.

Connect the equipment into an outlet on a circuit different from that to which the receiver is connected.

Consult the Independent Contractor for help.

## FCC Declaration of Conformity

**Name:** Aerus LLC

**Model:** W1017C

**Manufacturer:** Aerus LLC

This device complies with Part 18 of the FCC Rules.

### RESPONSIBLE PARTY

Aerus LLC  
300 East Valley Drive  
Bristol, VA 24201

Ph: 800.572.0502

**Signature:**  \_\_\_\_\_

**Printed Name:** Andrew Eide

**Title:** Vice President of Product Development  
and Manufacturing

**Date:** 04/17/18

# BEYOND<sup>®</sup>

BY AERUS

For information regarding the use of this product please call Customer Service.

**1-800-572-0502**

**[www.beyondbyaerus.com](http://www.beyondbyaerus.com)**

**España: [www.laundrypro.es](http://www.laundrypro.es)**

**Italia: [www.laundrypro.it](http://www.laundrypro.it)**

**Portugal: [www.laundrypro.pt](http://www.laundrypro.pt)**



# BEYOND®

BY AERUS

## LAUNDRY PRO® 2.0

UNE TECHNOLOGIE BEYOND BY AERUS



### SYSTÈME DE LESSIVE À EAU FROIDE

ATTENTION : VEUILLEZ LIRE ATTENTIVEMENT LE PRÉSENT MANUEL POUR OBTENIR  
LES INDICATIONS D'UTILISATION ET DE FONCTIONNEMENT CORRECTES.




# INFORMATIONS GÉNÉRALES

## TABLE DES MATIÈRES

Informations générales . . . . .	18
Considérations d'utilisation et de sécurité . . . . .	19
Exigences liées à l'installation . . . . .	20
Avant de commencer . . . . .	21
Retirer le couvercle . . . . .	21
Installation des supports muraux ou des vis . . . . .	22
Remettre le couvercle . . . . .	23
Installation des tuyaux . . . . .	23-24
Branchement de l'adaptateur électrique . . . . .	24
Mise en place du système . . . . .	25
Avant de nettoyer votre linge . . . . .	26
Utilisation du Laundry Pro 2.0 . . . . .	26
Pour les machines à laver qui utilisent une entrée d'eau chaude et une entrée d'eau froide. . . . .	27
Robinet externe de régulation de température . . . . .	28
Indicateurs de panne . . . . .	28
Foire aux questions . . . . .	29
Des problèmes d'installation? . . . . .	29
Renseignements sur la garantie . . . . .	30

## SPÉCIFICATIONS

### Adaptateur CA/CC :

- CA d'entrée : 100 - 240 V ~ 50/60 Hz 0,45 A
- CC de sortie : 12 V 

### Consommation électrique :

- 0,4 AC (mode veille)
- 1,3 AC (fonctionnement)

### DyPression hydrodynamique :

- 20 psi (minimum) à 60 psi/1,37 à 4,13 bars

### Température de l'eau :

- Utiliser de l'eau froide uniquement  
(ne pas utiliser d'eau chaude)

### Environnement de fonctionnement :

- 50 °F - 100 °F (10 °C - 37,8 °C)
- Humidité 40 % ~ 85 %

### Dimensions:

- 17,3 po x 5,19 po x 3,69 po
- 43,94 cm x 13,48 cm x 9,37 cm

### Poids :

- 4,3 lb
- 1,95 kg

## À COMPLÉTER ET À CONSERVER

Le numéro de série est situé sur le panneau à l'arrière de l'appareil, en dessous de la ligne de branchement d'eau. Veuillez l'inscrire ci-dessous et le conserver pour toute référence future.

Numéro de modèle \_\_\_\_\_

Numéro de série \_\_\_\_\_

Date d'achat \_\_\_\_\_

Représentant(e) des ventes \_\_\_\_\_

Numéro de téléphone de l'établissement Aerus \_\_\_\_\_

Adresse de l'établissement Aerus \_\_\_\_\_

## PRÉSENTATION DU PRODUIT

Le dispositif Laundry Pro 2.0 est conçu pour fonctionner en conjonction avec votre machine à laver, et permet de laver du linge à l'eau froide grâce à notre technologie exclusive ActivePure®. Lorsque votre machine à laver commence à se remplir, le Laundry Pro 2.0 se met en marche. Le dispositif Laundry Pro 2.0 est équipé d'un capteur de fuite interne. Consultez la page 28 pour de plus amples détails.

Il existe une nouvelle façon, plus efficace et plus astucieuse, de faire votre lessive, basée sur la science et la technologie écoresponsables. Le Laundry Pro 2.0, conçu et fabriqué aux États-Unis, élimine le recours à l'eau chaude, aux détergents, aux assouplissants et aux eaux de javel, permettant donc d'économiser de manière importante à chaque brassée.

Le Laundry Pro 2.0 est conçu pour une utilisation et une installation faciles, s'adaptant parfaitement à toute machine à laver standard ou haute efficacité. Il est conçu pour une utilisation résidentielle par tout individu désirant une alternative économique et écologique aux détergents et aux produits chimiques habituellement utilisés, sans modifier les appareils, la plomberie ou les systèmes électroniques existants.

Le Laundry Pro 2.0 utilise une variante de la technologie initialement développée pour une utilisation à bord de la Station spatiale internationale et offre une Certified Space Technology exclusive reconnue par l'Agence spatiale.

# CONSIDÉRATIONS D'UTILISATION ET DE SÉCURITÉ

- Veuillez lire ce manuel dans son intégralité avant d'installer ou d'utiliser votre système Laundry Pro 2.0.
- Utiliser à l'intérieur seulement.
- Ne pas utiliser l'appareil sans le couvercle en place.
- Débrancher l'alimentation électrique avant de procéder à l'entretien.
- Ne pas utiliser de rallonge électrique ou tout autre adaptateur avec cet appareil.
- Il n'est pas recommandé d'utiliser cet appareil avec de l'eau ayant des taux élevés de sédiments. Si votre eau contient des taux élevés de sédiments, consultez un expert en filtration de l'eau pour en savoir plus sur les options disponibles.
- La pression dynamique maximale de l'arrivée d'eau est de 60 psi.
- Utilisez le tuyau neuf fourni avec l'unité pour raccorder le Laundry Pro 2.0 à votre machine à laver. Vous devez également remplacer tout tuyau de machine à laver datant de plus de trois ans.
- Ne nettoyez pas votre Laundry Pro 2.0 avec des produits chimiques corrosifs, des abrasifs ou des détergents. Pour le nettoyer, utilisez un linge doux humidifié avec de l'eau.
- Le dispositif Laundry Pro 2.0 est uniquement destiné à un usage résidentiel normal. L'utilisation de l'appareil dans un lieu commercial ou non résidentiel, ou avec une laveuse non résidentielle, annulera votre garantie.



## ATTENTION :

L'eau traitée par votre dispositif Laundry Pro 2.0 est uniquement destinée au nettoyage de vos vêtements et n'est approuvée pour AUCUN TYPE de consommation interne (boire, se baigner, se brosser les dents, etc.). Il ne faut PAS boire, ingérer ou consommer l'eau provenant de votre dispositif Laundry Pro 2.0 ou de votre machine à laver. NE donnez PAS l'eau provenant de votre dispositif Laundry Pro 2.0 à vos animaux de compagnie.

## PRÉCAUTIONS DE SÉCURITÉ IMPORTANTES

- L'ensemble du câblage doit être effectué conformément au National Electrical Code ANSI/FNPA, No. 70, selon la dernière version des codes et règlements locaux aux États-Unis. Pour les codes de l'électricité à l'extérieur des États-Unis, consultez votre agence de réglementation locale afin de connaître les derniers codes et règlements. Le propriétaire de l'appareil a la responsabilité personnelle et l'obligation de fournir une alimentation électrique adéquate au dispositif.

**REMARQUE :** Votre dispositif Laundry Pro 2.0 a été contrôlé à l'usine. Il est normal qu'une faible quantité d'eau résiduelle se trouve à l'intérieur de l'appareil : elle est due aux contrôles en question.

Nous avons indiqué des avertissements de sécurité importants dans le présent manuel et sur votre appareil. Lisez et respectez toujours ces messages de sécurité.

Les avertissements de sécurité compris dans le présent manuel sont définis comme suit :



## AVERTISSEMENT :

Si les instructions ne sont pas suivies immédiatement, vous vous exposez à un danger de mort ou à un risque de blessure grave.



## AVERTISSEMENT :

Risque d'électrocution. Le non-respect des instructions vous expose à un danger de mort ou à un risque de blessure grave.



## ATTENTION :

Le non-respect des instructions expose votre appareil et la zone environnante à des dégâts potentiels.

## REMARQUE :

Ces informations sont fournies pour vous aider lors de l'installation et de l'utilisation de l'appareil.

**VEUILLEZ CONSERVER CES INSTRUCTIONS**

# EXIGENCES LIÉES À L'INSTALLATION

## EXIGENCES ÉLECTRIQUES

Fusible ou disjoncteur de 100 - 240 V 50/60 Hz 0.45 A (minimum). Le Laundry Pro 2.0 est équipé d'une alimentation électrique CA vers CC.

 **NE JAMAIS UTILISER DE RALLONGE ÉLECTRIQUE.**

## EXIGENCES EN MATIÈRE D'EAU

Une pression d'eau dynamique comprise entre 20 psi/1,37 bar et 60 psi/4,13 bar est nécessaire pour que votre Laundry Scrubber 2.0 fonctionne correctement. Voir les Avertissements ci-dessous.

## CONSIDÉRATIONS LOCALES

Le Laundry Pro 2.0 ne doit jamais être installé là où l'eau risque de geler, car l'appareil contiendra toujours de l'eau dans le boîtier, les robinets et les flexibles. Cela pourrait endommager les composants internes. Il est également recommandé d'éviter l'installation dans des zones soumises à une humidité élevée car le fonctionnement de l'appareil pourrait en être affecté.

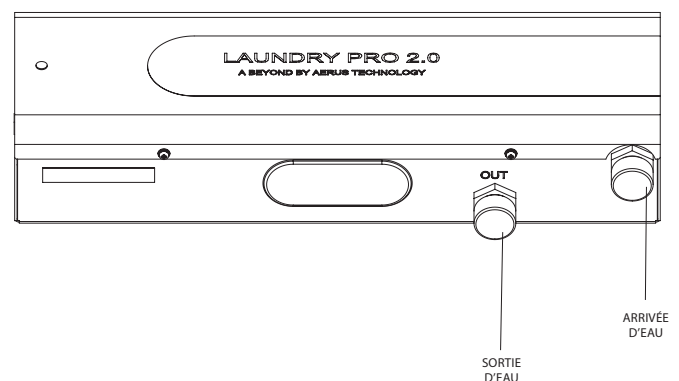
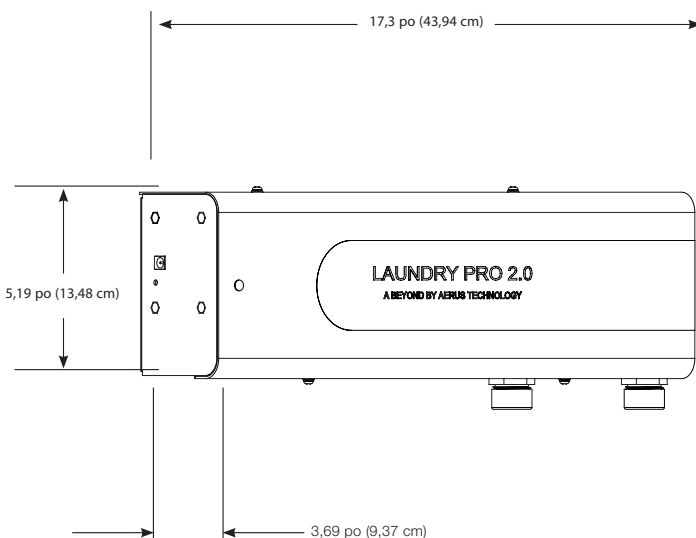


### ATTENTION :

La pression d'entrée de l'eau doit être supérieure à 20 psi/1,37 bar. Si votre pression d'eau est supérieure à 60 psi/4,13 bars, vous devez installer un réducteur de pression en ligne avant l'installation du système Laundry Pro 2.0. Le non-respect de ces instructions peut entraîner des fuites d'eau, des dommages matériels ou des blessures corporelles, et annuler votre garantie. Une pression d'eau comprise entre 20 psi/1,37 bar et 60 psi/4,13 bars est nécessaire pour que votre Laundry Pro 2.0 fonctionne correctement. Une pression d'eau trop basse peut empêcher l'appareil de fonctionner correctement et/ou causer une défaillance de la vanne d'entrée de votre machine à laver.

Le robinet de votre machine à laver peut également ne pas se refermer complètement. Consultez la documentation fournie avec votre machine à laver afin d'obtenir de plus amples spécifications. Votre machine à laver ainsi que le robinet d'eau froide doivent se trouver à moins de 122 cm du côté droit de l'appareil afin de permettre l'utilisation du flexible d'arrivée fourni avec votre Laundry Pro 2.0.

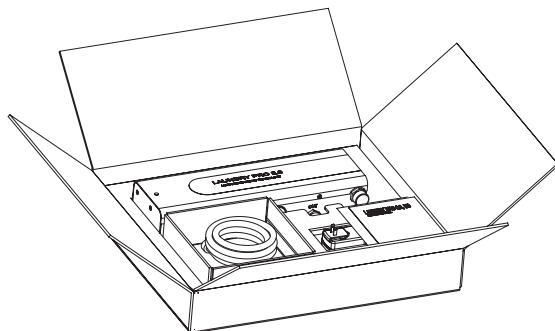
**AFIN D'ÉVITER TOUT DÉGÂT CAUSÉ PAR L'EAU ET PROVOQUÉ PAR LA FUIE D'UN FLEXIBLE, VEILLEZ À CE QUE LES ROBINETS SOIENT ACCESSIBLES ET FERMEZ-LES LORSQUE LA MACHINE À LAVER N'EST PAS UTILISÉE. NE PAS UTILISER AVEC UN FILTRE À CHARBON.**



# AVANT DE COMMENCER

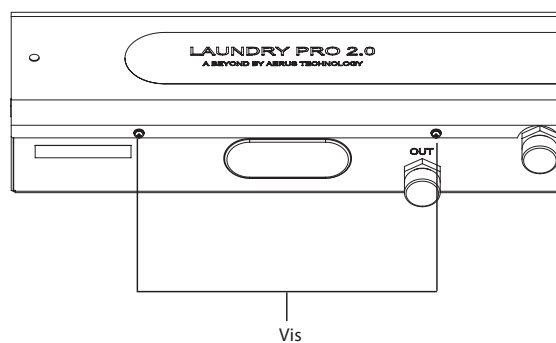
**REMARQUE :** Votre dispositif Laundry Pro 2.0 a été contrôlé à l'usine. Il est normal qu'une faible quantité d'eau résiduelle se trouve à l'intérieur de l'appareil : elle est due aux contrôles en question.

- Retirez votre nouveau dispositif Laundry Pro 2.0 de son emballage.
- Inspectez l'appareil à la recherche du moindre signe de dommage dû au transport.

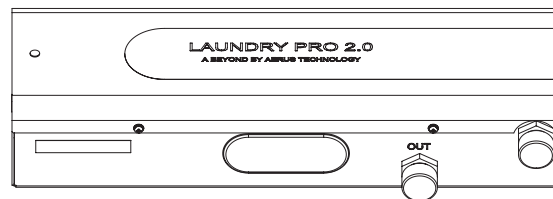


# RETIRER LE COUVERCLE

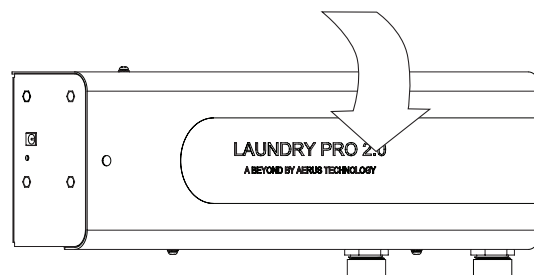
1. Retirez les deux (2) vis du couvercle situées au bas de l'appareil.



2. Retirez les deux (2) vis (non indiquées) situées sur la partie supérieure du Laundry Pro 2.0.



3. Pour retirer le couvercle, tirez sur la partie supérieure de l'appareil et soulevez le couvercle.



# INSTALLATION DES ANCRAGES MURAUX OU DES VIS DE SUPPORT

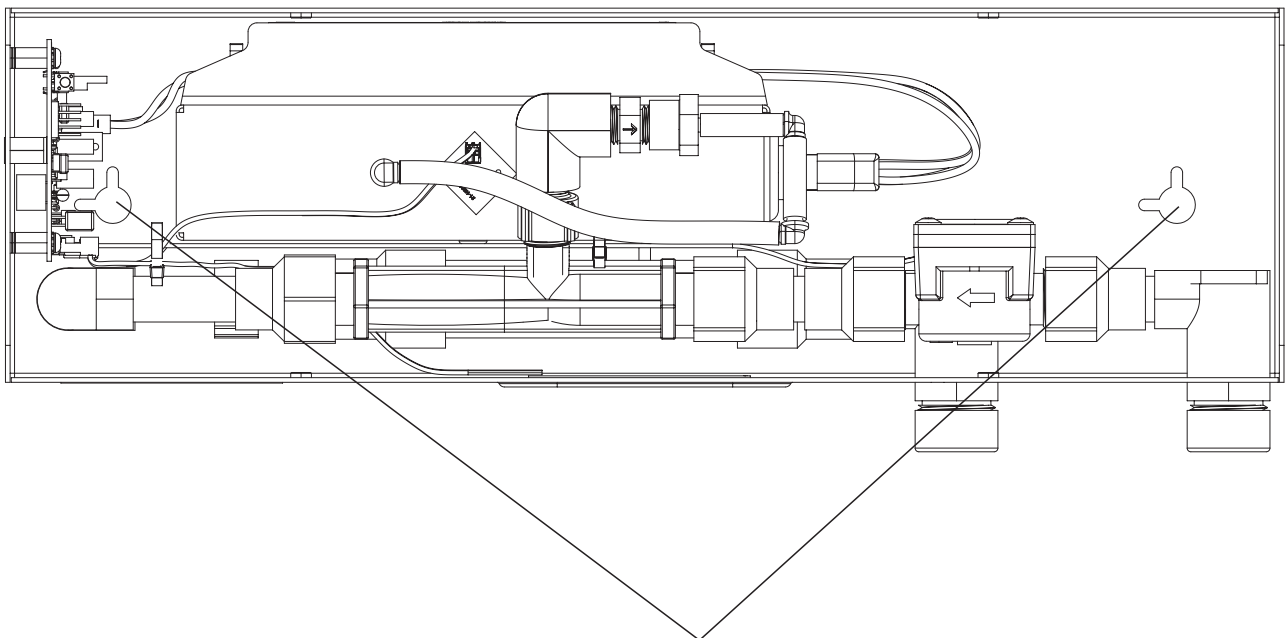
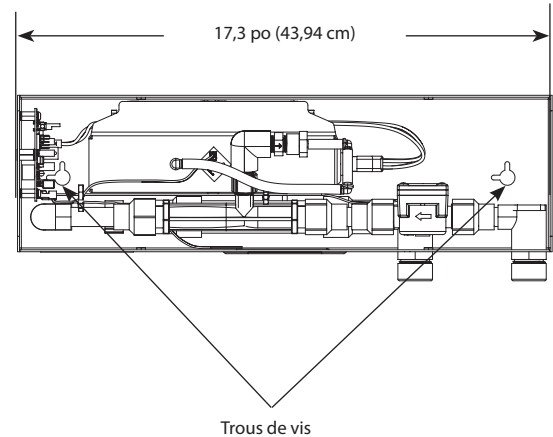
1. Positionnez le Laundry Pro 2.0 contre le mur et marquez les trous à utiliser avec un crayon.

**REMARQUE :** La machine à laver et le robinet d'eau froide doivent se trouver à moins de 1,21 m du côté droit de l'appareil.

- A. En cas d'utilisation des supports muraux fournis, forez deux trous d'un diamètre de 3/16 po (4,76 mm). Placez deux supports muraux sur le mur. Installez les deux vis fournies et vissez presque jusqu'au bout.
- B. En cas de montage sur un mur à claire-voie, forez deux trous d'un diamètre de 3/32 po (2,381 mm) et de 25,4 mm de profondeur environ. Installez les deux vis fournies et vissez presque jusqu'au bout.

**REMARQUE :** La trousse de quincaillerie fournie contient des pièces d'écartement en caoutchouc à endos adhésif, à placer à l'arrière de l'unité afin d'assurer un dégagement supplémentaire par rapport au mur, si nécessaire, pour l'installation des tuyaux ou l'utilisation du port ActiveClean (page 28).

2. Positionnez les trous de fixation du Laundry Pro 2.0 sur les vis (non illustrées). Terminez le serrage des vis, en serrant suffisamment pour monter solidement l'unité au mur, mais également de manière à pouvoir la détacher du mur. Retirez l'unité du mur.



Vis (non représentées)

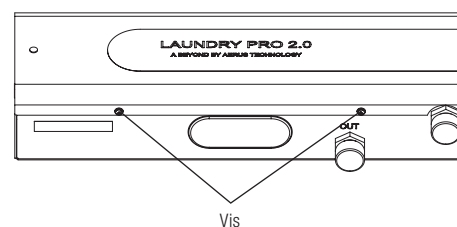
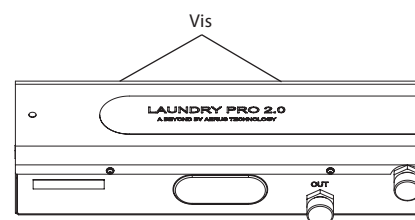
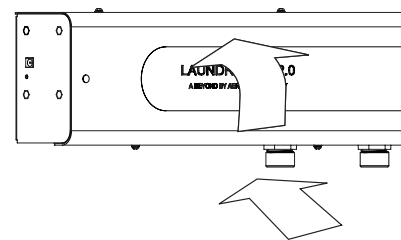
## REMETTRE LE COUVERCLE EN PLACE

1. Remettez le couvercle du Laundry Pro 2.0 dans sa position originale, en mettant le bas de l'appareil en place puis en le basculant vers le haut.

2. Fixez-le à l'aide de deux (2) vis (non indiquées) le long de la partie supérieure.

3. Placez les deux (2) vis restantes le long de la partie inférieure et serrez.

**REMARQUE :** Pour faciliter l'installation et éviter les enchevêtrements, connectez les tuyaux à l'appareil avant de le fixer au mur.



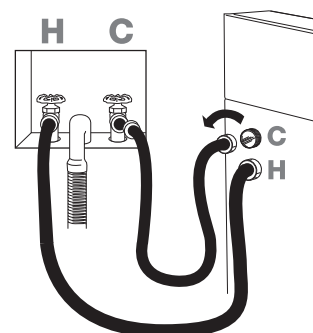
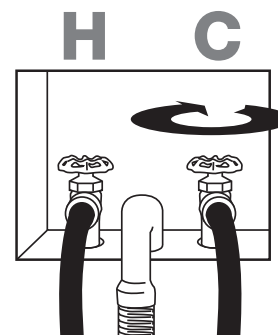
## INSTALLATION DES TUYAUX

**REMARQUE :** Pour faciliter l'installation et éviter les enchevêtrements, connectez les tuyaux à l'appareil avant de le fixer au mur.

1. Arrêtez l'eau froide en fermant le robinet d'eau froide.

2. Retirez le flexible d'eau froide de l'arrivée d'eau froide située à l'arrière de votre machine à laver. Ne retirez pas le flexible d'eau chaude.

**REMARQUE :** Pour éviter les jaillissements d'eau lors de la déconnexion des tuyaux, vous pouvez libérer la pression contenue dans la conduite d'eau en démarrant momentanément votre machine à laver.



### ATTENTION :

Lors du raccordement des flexibles à votre dispositif Laundry Pro 2.0, vissez les raccords à la main. À l'aide d'une pince réglable, terminez de serrer les raccords. Ne retirez et ne déconnectez pas la conduite d'eau chaude de votre machine à laver ou du robinet.

## INSTALLATION DES TUYAUX (SUITE)

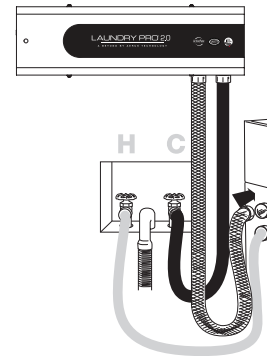
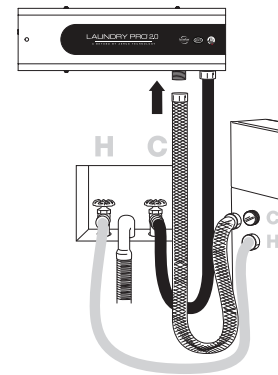
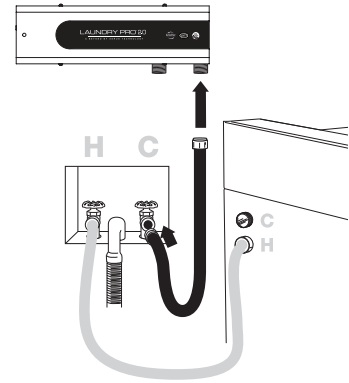
**REMARQUE :** Si votre tuyau actuel a plus de 3 ans, il est recommandé de le remplacer par le tuyau optionnel en acier inoxydable (Article n° 49701 – É.-U.).

3. Connectez le flexible raccordé à l'arrivée d'eau froide de votre machine à laver à l'orifice INLET [entrée] de votre Laundry Pro 2.0.

4. Raccordez le nouveau flexible fourni avec votre Laundry Pro 2.0 au raccord OUTLET [sortie] de votre appareil Laundry Pro 2.0.

5. Finalement, raccordez le nouveau flexible à l'arrivée d'eau froide de votre machine à laver.

**REMARQUE :** Pour faciliter l'installation et éviter les enchevêtrements, connectez les tuyaux à l'appareil avant de le fixer au mur.



## BRANCHEMENT DE L'ADAPTATEUR ÉLECTRIQUE

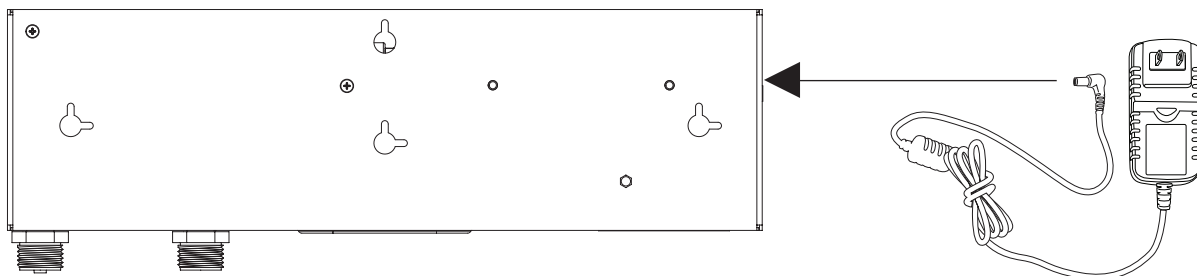


### ATTENTION :

N'utilisez pas d'adaptateur CA/CC autre que celui fourni avec votre Laundry Pro 2.0 ou que l'adaptateur CA/CC de remplacement fourni par Aerus (Article n° 49873 – US). Le non-respect des présentes instructions peut annuler votre garantie et/ou endommager votre appareil, provoquer un incendie ou un choc électrique.

1. Insérez le cordon d'alimentation fourni dans la prise POWER IN située à l'arrière de l'appareil.

**REMARQUE :** Ne branchez pas l'adaptateur électrique dans la prise murale avant que l'installation ne soit achevée. Voir page 25).





# CONFIGURATION DU SYSTÈME



## AVERTISSEMENT:

Risque d'électrocution. Lorsque vous manipulez des branchements électriques, l'appareil et la zone environnante doivent être propres et secs. Le non-respect des présentes instructions peut provoquer la mort, un incendie ou un choc électrique.



## AVERTISSEMENT:

Risque d'électrocution. N'utilisez pas de rallonge. Le non-respect des présentes instructions peut provoquer la mort, un incendie ou un choc électrique.

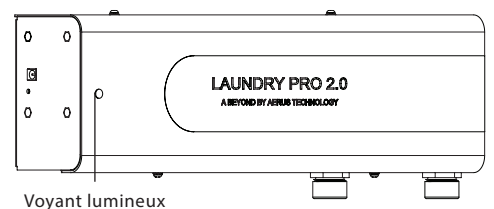
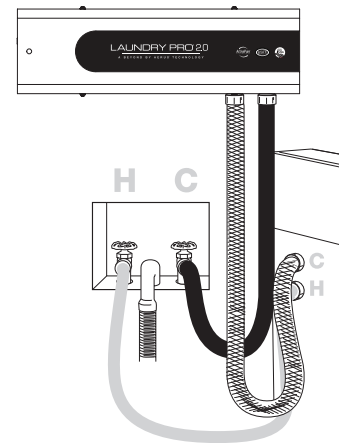
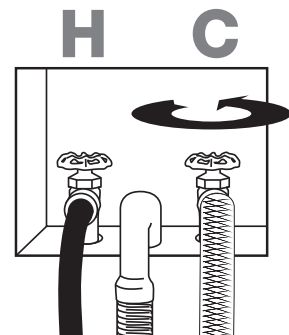
1. Branchez le cordon électrique dans la prise murale de votre système électrique résidentiel. Consultez la page 20 pour les exigences électriques.

2. Ouvrez le robinet d'eau froide.

3. Vérifiez tous les flexibles afin de vous assurer qu'il n'y a aucune fuite d'eau. Serrez si nécessaire.

4. Mettez votre machine à laver en marche. Le voyant devrait s'allumer en bleu après quelques secondes.

**REMARQUE :** Votre appareil Laundry Pro 2.0 s'activera et se désactivera automatiquement lorsque votre machine à laver se mettra en route ou lorsqu'elle s'éteindra.



# AVANT DE NETTOYER VOTRE LINGE

---

## AVANT D'UTILISER VOTRE LAUNDRY PRO 2.0 POUR LA PREMIÈRE FOIS

SI VOTRE MACHINE À LAVER EST NEUVE, ignorez ce chapitre et poursuivez avec les instructions ci-dessous.

SI VOTRE MACHINE À LAVER N'EST PAS NEUVE, vous devrez appliquer cette procédure afin d'éliminer toute accumulation de détergent susceptible de contaminer votre linge.

1. Ne mettez aucun vêtement dans la machine à ce moment. Réglez votre machine sur l'option de charge la plus importante, à l'eau froide uniquement.
2. Démarrez la machine et laissez-la parcourir tous les cycles.
3. Une fois qu'elle a terminé, répétez trois fois supplémentaires les étapes 1 et 2. Selon l'âge de votre machine et l'importance de l'accumulation de détergent qu'elle contient, il peut être nécessaire d'effectuer l'étape 3 plusieurs fois.

**REMARQUE :** Si vous disposez d'une machine à laver à chargement frontal, des odeurs peuvent se développer en raison de l'eau stagnant à l'intérieur. Si une odeur de moisi se développe, il est possible de l'éliminer à l'aide d'un nettoyant disponible dans le commerce et destiné exclusivement aux machines à laver à chargement frontal.

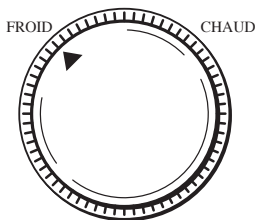


### ATTENTION :

Afin d'éviter tout dégât causé par l'eau et provoqué, par la fuite d'un flexible, veillez à ce que les robinets soient accessibles et fermez-les lorsque la machine à laver n'est pas utilisée.

## UTILISATION DU LAUNDRY PRO 2.0

---



### FONCTIONNEMENT NORMAL

L'utilisation de votre Laundry Pro 2.0 est aussi simple que d'allumer la machine à laver. Laundry Pro 2.0 est conçu pour utiliser le réglage EAU FROIDE de votre machine à laver.

### DÉTERGENT ET ADOUCISSANT

Vous pouvez décider de continuer à utiliser de la lessive et/ou de l'adoucissant si vous le souhaitez. Néanmoins, afin de bénéficier pleinement des avantages de votre nouveau Laundry Pro 2.0, nous vous recommandons de ne procéder au lavage qu'avec de l'eau froide. N'appliquez JAMAIS de détergent directement sur le linge sec. Laissez la machine à laver se remplir et ajoutez ensuite le détergent, afin d'éviter de tacher vos vêtements.



### TACHES TENACES

En cas de taches tenaces, traitez la zone au préalable à l'aide d'un détachant, frottez légèrement et laissez reposer plusieurs minutes. Nettoyez ensuite normalement.

# POUR LES MACHINES À LAVER QUI UTILISENT UNE ENTRÉE D'EAU CHAUDE ET UNE ENTRÉE D'EAU FROIDE

Certains modèles de machines à laver nécessitent une pression d'eau au robinet d'eau chaude et au robinet d'eau froide afin de fonctionner correctement. Dans certains cas, si seul l'approvisionnement en eau FROIDE est raccordé, le robinet ne fonctionnera pas et la machine à laver ne sera pas remplie jusqu'au niveau adéquat. Pour résoudre le problème, il est possible d'installer un adaptateur en Y (disponible dans la majorité des quincailleries). L'utilisation d'un adaptateur en Y permet à l'eau de s'écouler uniformément via les robinets d'eau CHAUDE et FROIDE. Le flexible optionnel en acier inoxydable (Article no 49701 – É.-U.) doit être installé sur le raccord d'eau chaude. Pour procéder à l'installation, coupez l'arrivée d'eau aux robinets et déconnectez le tuyau d'eau CHAUDE en place (au niveau du robinet et sur la machine à laver). Raccordez l'adaptateur en Y à l'orifice OUTLET [sortie] de votre Laundry Pro 2.0, et raccordez ensuite le flexible optionnel en acier inoxydable (Article no 49701 – É.-U.) et le tuyau d'eau froide de votre machine à laver à l'adaptateur en Y (voir schéma ci-dessous). Mettez votre machine à laver en marche sur le réglage CHAUD/CHAUD (votre Laundry Pro 2.0 utilisera tout de même l'eau froide).

**REMARQUE :** Votre robinet d'eau chaude ne sera raccordé à aucun flexible. Assurez-vous qu'il est bien fermé. Il est recommandé de le sécuriser à l'aide d'un bouchon (disponible dans la majorité des quincailleries) afin d'éviter toute fuite.

**REMARQUE :** L'adaptateur en Y doit être acheté localement. Utiliser uniquement un adaptateur en métal. Ne pas utiliser d'adaptateur en plastique.



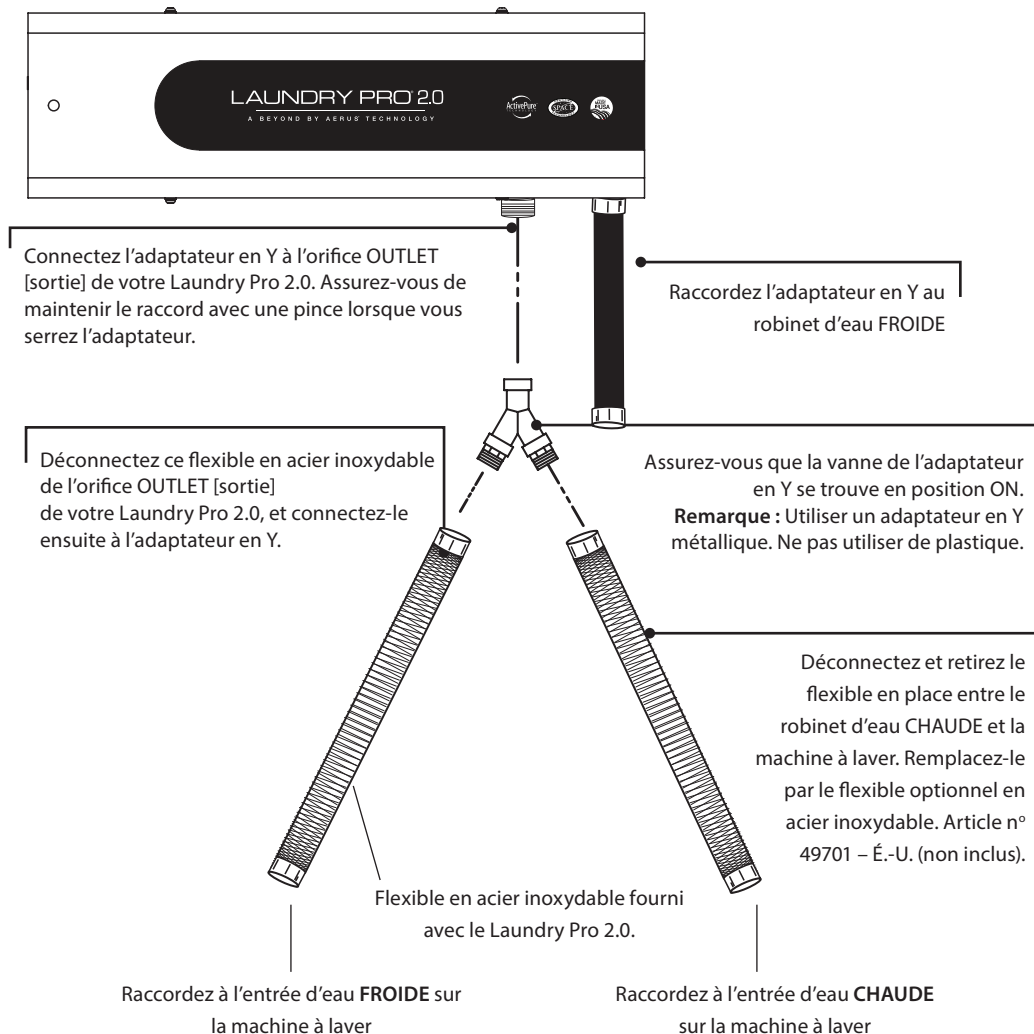
## ATTENTION :

Fermez les deux robinets d'eau (froide et chaude) avant de déconnecter les tuyaux. Le non-respect des présentes instructions peut entraîner des fuites d'eau et/ou d'éventuelles blessures dues à l'eau chaude.



## ATTENTION :

Lors du raccordement des flexibles à votre dispositif Laundry Pro 2.0, vissez les raccords à la main. À l'aide d'une pince réglable, terminez de serrer les raccords.



# ROBINETS DE RÉGULATION DE TEMPÉRATURE

Certaines machines à laver contrôlent la température de l'arrivée d'eau froide et régulent l'eau trop froide en ajoutant de l'eau chaude, même lorsque la température de l'eau est réglée pour être froide. Si vous possédez une machine à laver de ce type, n'installez pas l'appareil avec l'adaptateur en Y, qui risquerait d'empêcher la machine à laver de fonctionner correctement. Consultez le manuel d'utilisation de la machine à laver, si nécessaire.

## ROBINET EXTERNE (DISPONIBLE SÉPARÉMENT)

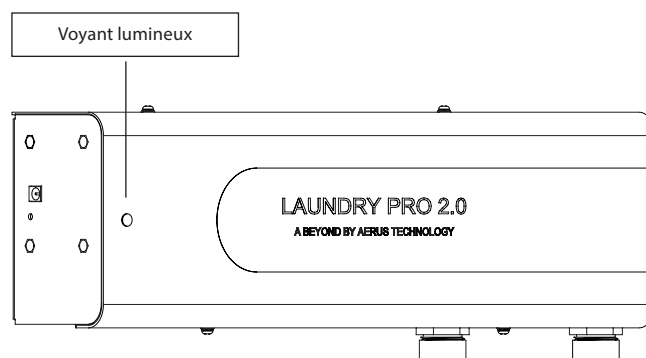
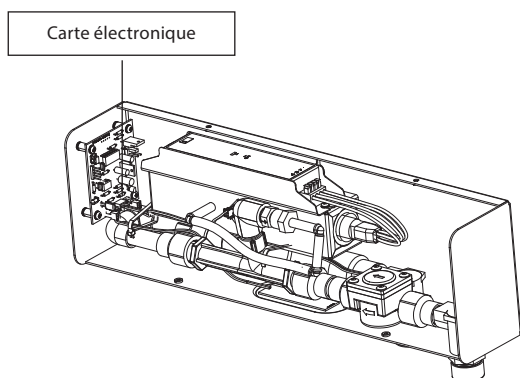
Un robinet d'eau pour Laundry Pro 2.0 en option vous permet d'avoir une arrivée d'eau contenant des oxydants à base d'hydrogène et d'oxygène pour le nettoyage des surfaces, évitant ainsi les coûts ou les agents chimiques irritants associés à la plupart des produits de nettoyage traditionnels.

(Port ActiveClean - 49693 - É.-U.)

## INDICATEURS DE PANNE

L'état de fonctionnement du Laundry Pro 2.0 est indiqué par un voyant lumineux, une DEL de couleur bleue :

- **Unité en marche** = Voyant lumineux allumé et fixe. (L'unité est « en marche » lorsque de l'eau coule dans l'appareil).
- **Remplacement prochain de la cellule ActivePure** (à environ 7500 heures) = Clignotement rapide et intermittent du voyant lumineux (bip visuel) lorsque l'appareil est arrêté; voyant lumineux allumé et fixe lorsque de l'eau coule dans l'unité.
- **Remplacement nécessaire de la cellule ActivePure** (à environ 9000 heures) = Clignotement rapide et intermittent du voyant lumineux (bip visuel) que l'appareil soit en marche ou arrêté. L'ampoule UV ne s'allume PAS tant que la cellule n'a pas été remplacée.
- **Ampoule UV brûlée** = Clignotement rapide et intermittent du voyant lumineux (bip visuel) - même état que pour le remplacement nécessaire de la cellule ActivePure, décrit ci-dessus.
- **Remplacement de la cellule ActivePure** : Lors du remplacement de la cellule ActivePure, vous devez appuyer sur un bouton situé sur la carte électronique principale. Le voyant lumineux doit alors clignoter trois fois (plus lentement que le bip rapide décrit ci-dessus) puis s'éteindre. Ceci indique que la minuterie de la cellule ActivePure a été remise à zéro. Appuyer sur ce bouton à tout moment avant la limite de 7500 heures \*ou\* avant qu'une défaillance de l'ampoule ne soit détectée ne permet PAS de réinitialiser la minuterie.
- **Alarme de fuite** : Le voyant lumineux clignote et une alarme sonore retentit. Si cela se produit, veuillez contacter le service à la clientèle au (800) 668-0763 (Canada) ou au (800) 243-9078 (États-Unis). España: [www.laundrypro.es](http://www.laundrypro.es); Italia: [www.laundrypro.it](http://www.laundrypro.it); Portugal: [www.laundrypro.pt](http://www.laundrypro.pt).



### AVERTISSEMENT :

Risque d'électrocution. Débranchez l'alimentation électrique avant de procéder à l'installation ou à l'entretien.



### AVERTISSEMENT :

Risque d'électrocution. Lorsque vous manipulez des branchements électriques, l'appareil et la zone environnante doivent être propres et secs. Le non-respect des présentes instructions peut provoquer la mort, un incendie ou un choc électrique.



### ATTENTION :

N'utilisez pas le dispositif Laundry Pro 2.0 avec le bouclier anti-UV ou le couvercle détaché ou mal installé. Le non-respect des présentes instructions peut provoquer des lésions graves au niveau des yeux, la mort ou un choc électrique.

# FOIRE AUX QUESTIONS

---

**Le Laundry Pro 2.0 permet-il d'éliminer les taches tenaces sans traitement préalable?** Les taches tenaces nécessiteront toujours un traitement préalable.

**Le Laundry Pro 2.0 fonctionne-t-il avec tous les types d'eau, y compris l'eau dure?** Le dispositif Laundry Pro 2.0 fonctionne peu importe la qualité de votre eau ménagère. Toutefois, une préfiltration supplémentaire pour retirer les sédiments peut être nécessaire en fonction de la condition de l'eau source.

**REMARQUE : Ne jamais utiliser avec un filtre à charbon.**

**Le Laundry Pro 2.0 fonctionne-t-il avec les machines à laver industrielles?** Le dispositif Laundry Pro 2.0 est uniquement destiné à un usage résidentiel.

**Doit-on faire appel à un plombier pour installer le Laundry Pro 2.0?** Le client est responsable de l'installation du dispositif Laundry Pro 2.0. Bien que le dispositif Laundry Pro 2.0 puisse être installé dans la majorité des foyers par le propriétaire à l'aide d'outils standards, certains clients préfèrent demander à un plombier d'effectuer l'installation. Il convient d'indiquer que des problèmes éventuels peuvent survenir lors de l'installation, en fonction de l'état de la plomberie de la maison et de la configuration et de l'emplacement de la machine à laver. Si le robinet d'eau froide est coincé ou si la machine à laver doit être déplacée et remise à niveau, l'aide d'un plombier peut s'avérer nécessaire. Aerus décline toute responsabilité à l'égard d'une installation incorrecte ou des dégâts dus à une installation incorrecte et recommande le recours à un plombier agréé. Les avertissements et indications appropriés sont inclus dans le présent manuel de l'utilisateur. Respectez toujours les codes locaux en matière de plomberie lors de l'installation du dispositif Laundry Pro 2.0.

**Puis-je raccorder le dispositif Laundry Pro 2.0 à des appareils autres qu'une machine à laver?** Non. Toutefois, Aerus propose en option une trousse d'adaptateur ActiveClean, que vous pouvez installer sur le dispositif Laundry Pro 2.0 pour produire de l'eau contenant des oxydants à base d'oxygène, à d'autres fins de nettoyage (voir page 28).

**Quel est l'effet du dispositif Laundry Pro 2.0 sur les élastiques?** L'utilisation normale du Laundry Pro 2.0 ne devrait avoir aucun effet négatif sur les élastiques de vos vêtements.

**Puis-je faire tremper mes vêtements?** Il n'est pas recommandé de laisser les vêtements tremper dans l'eau fournie par le dispositif Laundry Pro 2.0.

## DES PROBLÈMES D'INSTALLATION?

---

Les procédures d'installation peuvent varier en fonction du modèle de machine à laver. Si vous rencontrez des problèmes lors de l'installation, consultez le manuel et regardez la vidéo d'installation pour vous assurer d'avoir installé l'appareil correctement. Contactez le service à la clientèle au 800-572-0502 pour de plus amples informations. España: [www.laundrypro.es](http://www.laundrypro.es); Italia: [www.laundrypro.it](http://www.laundrypro.it); Portugal: [www.laundrypro.pt](http://www.laundrypro.pt).

# GARANTIE LIMITÉE DE TROIS (3) ANS

Il n'est pas recommandé au client de remballer et d'expédier l'appareil Laundry Pro 2.0 en raison des risques de dommages irréparables. Afin d'obtenir le service de garantie, veuillez contacter le service à la clientèle pour obtenir l'adresse du centre de service le plus proche.

Le propriétaire de l'appareil ne peut lui-même emballer l'appareil et l'expédier, car des dommages irréparables seront causés à l'appareil Laundry Pro 2.0. Pour le service sous garantie, veuillez communiquer avec l'établissement le plus près de votre domicile.

## CE QUI EST COUVERT PAR LA GARANTIE

Le garantie l'appareil Laundry Pro 2.0 au consommateur contre tout défaut de matériau ou de fabrication, sous réserve des conditions ci-dessous et que le produit visé soit retourné à un établissement dans les délais suivants:

• Laundry Pro 2.0 : dans les 3 ans suivant la date d'achat.

## EXIGENCES RELATIVES À L'INSTALLATION ET À L'ENTRETIEN

Cette garantie est expressément conditionnelle aux exigences suivantes en fait d'installation et d'entretien : (i) le système Laundry Pro 2.0 doit être installé, utilisé et entretenu conformément au manuel de l'utilisateur et par un professionnel autorisé (s'il y a lieu); et (ii) tous les boyaux doivent être remplacés aux intervalles de temps prescrits dans le manuel de l'utilisateur (une preuve du changement de boyau peut être exigée). En cas de non-conformité à l'une de ces exigences, cette garantie sera annulée. Faire faire l'entretien de votre Laundry Pro 2.0 par une partie autre qu'un représentant autorisé de et/ou utiliser des pièces autres que les pièces d'origine de annulera également cette garantie.

## COMMENT OBTENIR LE SERVICE DE GARANTIE

Les clients doivent communiquer avec un détaillant/établissement et fournir une preuve d'achat dans les délais ci-haut mentionnés. Le réparera ou remplacera et retournera le produit sans frais et dans un délai normal, sous réserve des conditions énoncées dans le paragraphe précédent, si son examen révèle un défaut de matériau ou de fabrication. Si, après un nombre raisonnable de tentatives, à sa discrétion, n'est pas en mesure de réparer le produit, en remboursera le prix d'achat ou le remplacera, au gré de la compagnie.

## CE QUI N'EST PAS COUVERT PAS CETTE GARANTIE

Ce produit est destiné à un usage domestique seulement. Utiliser cet appareil uniquement avec une eau provenant d'un système municipal. L'usure normale n'est pas considérée comme un défaut de matériau ou de fabrication. Ces garanties ne s'appliquent pas aux filtres, ni en cas de pertes ou de dommages résultant d'un accident, d'un incendie, d'un usage impropre, abusif ou anormal, d'une installation non appropriée, de fuites d'une modification, d'une utilisation incorrecte, d'un usage commercial ou encore de toute réparation faite ailleurs qu'à un centre de service agréé. Cette garantie ne couvre pas les dommages causés par l'eau.

## EXCLUSION D'AUTRES GARANTIES ET CONDITIONS

SOUS RÉSERVE DES DISPOSITIONS PRÉVUES AUX PRÉSENTES, N'ÉNONCE AUCUNE REPRÉSENTATION OU GARANTIE ET, EN OUTRE, DÉCLINE EXPRESSÉMENT TOUT AUTRE GARANTIE DE QUELQUE NATURE QUE CE SOIT, EXPRESSE OU IMPLICITE, Y COMPRIS TOUTE GARANTIE IMPLICITE DE QUALITÉ MARCHANDE OU DE CONVENANCE À UN USAGE PARTICULIER.

## NUMÉROS DE SÉRIE MANQUANTS ET ACHATS NON CONFORMES À NOS POLITIQUES

La vente des produits est autorisée seulement par le biais de représentant(es) autorisé(es) d'Aerus. Toutes les garanties seront annulées si l'achat du produit se fait via un canal non autorisé. Tout produit vendu d'une façon

qui contrevient à nos politiques et lignes directrices en matière de publicité sur Internet ne sera pas couvert par la garantie. Cela inclut les sites Internet qui ne sont pas autorisés à utiliser nos noms de marque, nos images ou nos logos, ou encore un site de vente aux enchères (p. ex. : eBay et Craigslist). En cas d'absence de numéro de série sur le produit, la garantie sera annulée.

Pour confirmer la couverture de la garantie avant de faire l'acquisition d'un produit, veuillez nous contacter aux États-Unis : 800.243.9078 et au Canada : 800.668.0763 avec le numéro de série situé au dos de l'article.

## LIMITE DE RESPONSABILITÉ À L'ÉGARD DES DOMMAGES PARTICULIERS, ACCESSOIRES OU INDIRECTS

DÉCLINE TOUTE RESPONSABILITÉ À L'ÉGARD DES DOMMAGES PARTICULIERS, ACCESSOIRES OU INDIRECTS RÉSULTANT DU NON-RESPECT DES GARANTIES, CONDITIONS OU REPRÉSENTATIONS EXPRESSES OU IMPLICITES, D'UNE VIOLATION DE CONTRAT, DE NÉGLIGENCE OU D'AUTRES THÉORIES JURIDIQUES. Ces dommages exclus comprennent, sans s'y limiter, la perte de profits ou de revenus, et la perte de jouissance du produit et toutes autres pertes encourues par des fuites ou autres dommages causés par l'eau.

## DISPOSITIONS APPLICABLES AUX ÉTATS-UNIS SEULEMENT

Cette garantie confère des droits juridiques précis qui peuvent être complétés par d'autres droits variant d'un État à l'autre. Certains États ne permettent pas de limiter les garanties ou les recours en cas de non-respect. Dans ces États, les dispositions limitatives ci-dessous peuvent être sans effet.

## DISPOSITIONS APPLICABLES AU CANADA SEULEMENT

Exclusion des propriétaires subséquents: Sauf disposition contraire dans les lois applicables, cette garantie n'est pas transférable. Cette garantie confère des droits juridiques précis, qui peuvent être complétés par d'autres droits variant d'une province à l'autre. Certaines provinces et certains territoires ne permettent pas de limiter les garanties ou les recours en cas de non-respect. Dans ces provinces ou territoires, les dispositions limitatives ci-dessus peuvent être sans effet.

Si une cour compétente prononce quelque disposition de cette garantie totalement ou partiellement invalide, illégale ou inapplicable, les autres dispositions demeurent valides, légales et applicables, et ne sont en aucun cas modifiées ou atténuées dans le cadre de la compétence de cette cour. La garantie entière continue d'être valide, légale et applicable dans toute juridiction ne s'étant pas prononcée de façon similaire

Cette garantie est fournie par :

Aerus LLC  
300 East Valley Drive,  
Bristol, VA 24201

## ENTRETIEN

Nous nous efforçons, dans toute la mesure du possible, de veiller à ce que nos clients reçoivent des manuels d'utilisation de mc à jour; cependant, de temps en temps, nos produits sont modifiés sans préavis, ce qui pourrait changer les informations contenues dans ces manuels. Veuillez contacter le service à la clientèle au (800) 572-0502.

España: [www.laundrypro.es](http://www.laundrypro.es)

Italia: [www.laundrypro.it](http://www.laundrypro.it)

Portugal: [www.laundrypro.pt](http://www.laundrypro.pt)



Cet équipement a été testé et reconnu conforme aux limites pour les équipements industriels, scientifiques et médicaux (ISM), conformément à la section 18 des règles de la FCC. Ces limites sont conçues pour apporter une protection raisonnable contre les interférences dangereuses dans une installation résidentielle. Cet équipement génère, utilise et peut émettre des fréquences radio et, s'il n'est pas installé et utilisé conformément aux instructions, peut provoquer des interférences nuisibles aux communications radio. Cependant, il n'est pas garanti que des interférences ne se produiront pas dans une installation en particulier. Si cet équipement cause des interférences dangereuses pour la radio ou la télévision, ce qui peut être déterminé en allumant et éteignant l'appareil, on encourage l'utilisateur à tenter de corriger l'interférence par une ou plusieurs des mesures suivantes :

Réorienter ou déplacer l'antenne de réception.

Accroître l'écart entre l'appareil et le récepteur.

Brancher l'appareil dans une prise sur un circuit autre que celui où est branché le récepteur.

Contactez le distributeur pour avoir de l'aide.

## DÉCLARATION DE CONFORMITÉ À LA FCC

**Nom :** Aerus LLC

**Modèle :** W1017C


**Fabricant :** Aerus LLC

Cet appareil est conforme à la section 18 des règles de la FCC.

### PARTIE RESPONSABLE

Aerus LLC  
300 East Valley Drive  
Bristol, VA 24201

Ph: 800.572.0502

**Signature:** 

**Nom en lettres moulées :** Andrew Eide

**Titre :** Vice-président du développement et de la fabrication des produits

**Date :** 04/17/18

# BEYOND<sup>®</sup>

BY AERUS

Pour de plus amples renseignements concernant l'utilisation de cet appareil, veuillez contacter le service à la cliente.

**1-800-572-0502**

**[www.beyondbyaerus.com](http://www.beyondbyaerus.com)**

**España: [www.laundrypro.es](http://www.laundrypro.es)**

**Italia: [www.laundrypro.it](http://www.laundrypro.it)**

**Portugal: [www.laundrypro.pt](http://www.laundrypro.pt)**